



M02-23RBLK

# Electric Sit-Stand Desk Frame

Movement is the key to healthy life

M02-23RBLK

# Electric Sit-Stand Desk Frame

# Brateck®

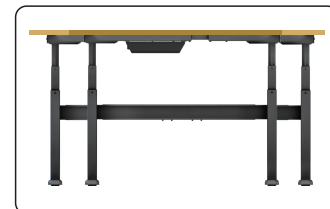
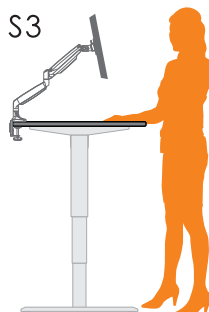
BRACKET TECHNOLOGY

### 3 Programmable Height Memory Presets

Ideal for co-workers or family members

M02-23RBLK (Unbraced)

Column Segments: 3  
Width Range: 1000-1700 mm (40"-68")  
Height Range: 630-1250 mm (25"-49")



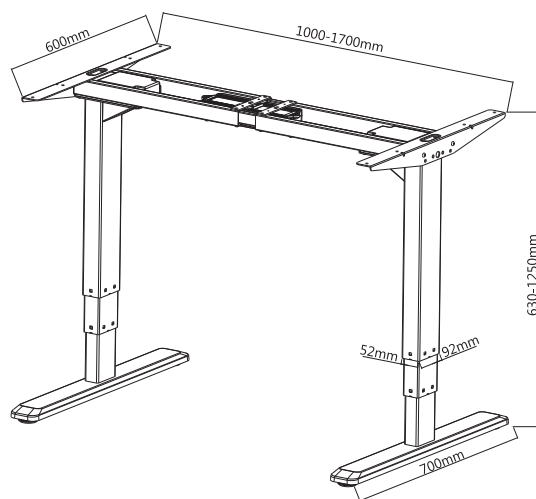
**One Frame Fits All**  
Size to your work environment.



Dual Motor-Powerful Lift



Reverse Column Design  
-Increase the stability



Power Input  
**100V~240V**



Max. Speed  
**38 mm/s**



Motion Noise  
**<50dB**



Load Capability  
**100kg**



Overload Protection



Operation Temperature  
**-5°C~+40°C**



Thermal Protection



IP Grade  
**IP20**



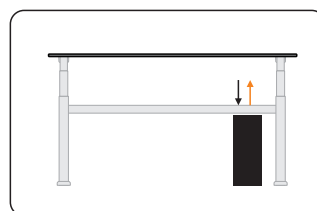
**Digital LED Controller**  
Adjust your desk height with ease.



**Unique Motor Technology**  
Powerful yet smooth and silent.



**Sit / Stand Time Reminder**  
Remind working position adjustment.



**Collision Avoidance System**  
Stop the desk if it bumps into a solid object while moving up or down.